

### TIP 1

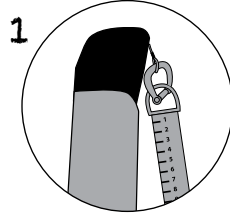
Mast Rake:

For a correct measurement, be sure the main halyard is hoisted in the correct position:

1) pull the halyard all the way to the top of the mast.

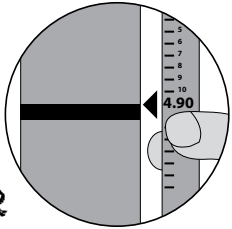
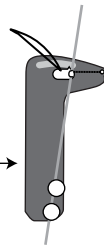
2) As a reference, the top of the black band on the mast (near the boom) must be 4.90 cm.

3) Check out that the main halyard is at the correct position every time you hoist it again.

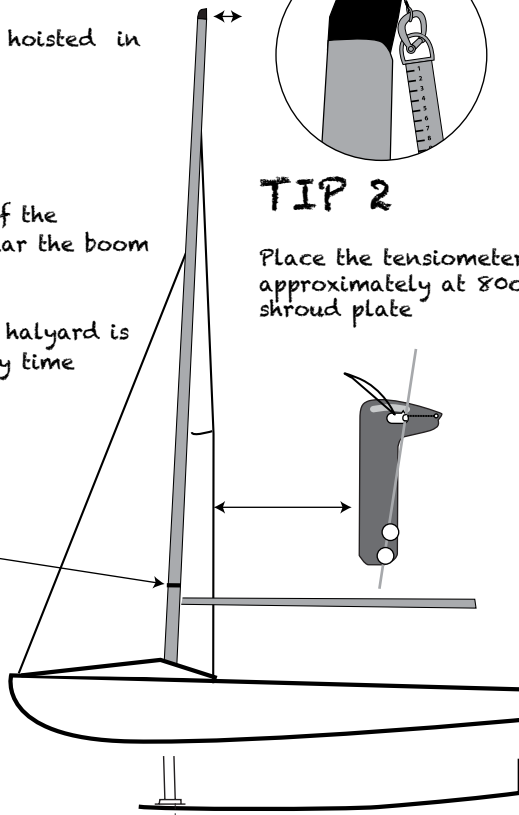


### TIP 2

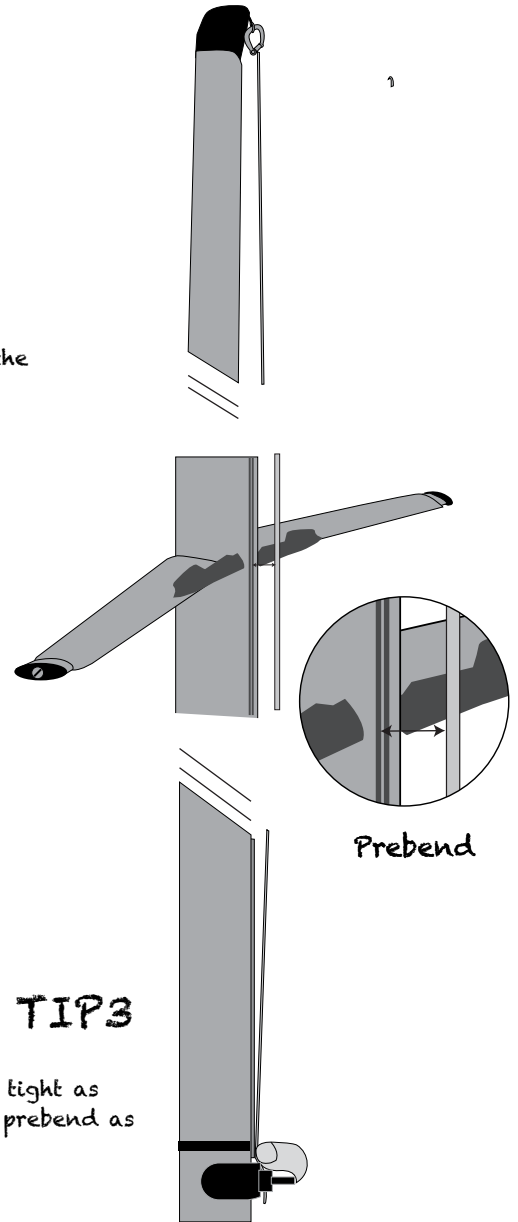
Place the tensiometer approximately at 80cm from the shroud plate



2



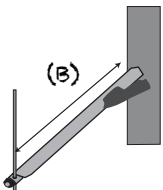
Measure the mast step position as shown here.



Prebend

### TIP 3

Hold the main halyard as tight as possible and measure the prebend as shown



### Spreader's length

measure from the center of the shroud to the side of the mast

Jib wire tension	23 - 25	Loose PT-1	3 mm dyform wire
Shroud tension	28 - 31,5	Loose PT-1	2.5 mm dyform wire
Spreader's length	470 - 475 mm		

### SETTINGS

Mast rake	6,12 m	6,07 m	6,03m	5,98 m	5,97 m
Mast prebend	47 mm	42 mm	47mm	50 mm	55 mm
Shroud tension	31,5	30	30	29	28
Mast step	0	0	+1	+1	+2
Chocks	-1 / 0,5	0,5 / 1,5	1,5 / 0,5	1 / 0	0,5 / 0

### NOTES

Tension: + 1 with 3 mm shroud wire  
 Mast step 0 position: 281 cm from the stern until the back pin of the mast